



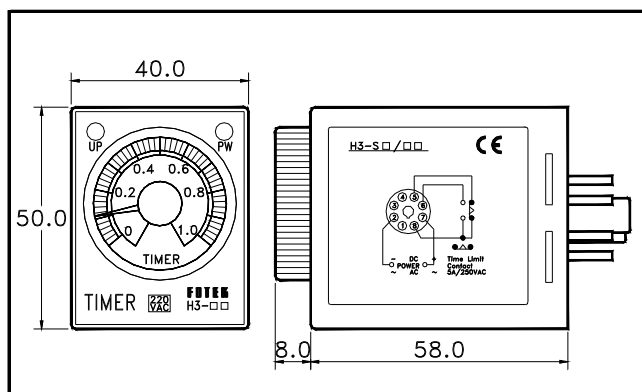
## Series H3 ON Delay Timer / Flicker / Y-△ Starter

| Type   | Multi-Range ON Delay Timer  | Single-Range ON Delay Timer                                    | Multi-Range Flicker | Y-△ Starter   |
|--------|---|--|---------------------|---|
| Model  | H3-M □  | H3-□□  | H3-FK-M3            | H3-TRD-30S  |
| Figure |   |  |                     |   |
| Range  | M1:1S/10S/1M/10M<br>M3:3S/30S/3M/30M<br>M6:6S/60S/6M/60M<br>M1H:1M/10M/1H/10H<br>M3H:3M/30M/3H/30H<br>M6H:6M/60M/6H/60H | 1S/3S/6S/10S<br>30S/60S/3M/6M<br>10M/30M/60M<br>3H/6H/10H/100H | 3S/30S/3M/30M       | 30S<br>Change Time:0.2S<br>0.1~0.5S is Available<br>ON Demanded |
| Weight | 155g  | 155g   | 140g                | 105g  |

### Specification

|                     |   |
|---------------------|---|
| Power Supply        | 12 or 24 VAC/DC or 110V or 230V or 380VAC 50/60Hz |
| Wattage Consump.    | 3VA max.  |
| Control Output      | Relay   |
| Contact Rated       | 10A   |
| Repetivity          | 0.2% of F.S max.                                  |
| Setting Accuracy    | 5% of F.S max.                                    |
| Reset Time          | 0.1S max.   |
| Insulation Strength | 100M Ω /500VDC                                    |
| Dielectric Strength | 2.5KV/1 min.                                      |
| Circumstance        | -20° ~+60 °C , 35~85%RH                           |
| Life of Relay       | 20 X 10 <sup>6</sup> Times                        |

### Dimension



### Connection & Timing Diagram

