

Series H2Y/H3Y



Panel type
POWER ON DELAY TIMER

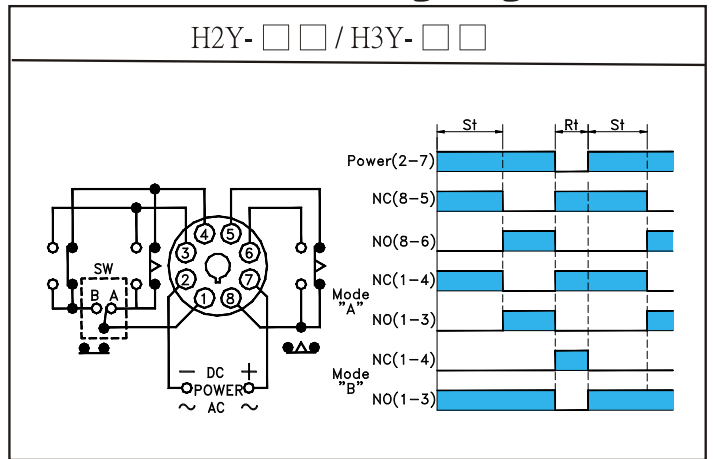


Outline	STPY	H3
Model	H2Y- □ □	H3Y- □ □
Figure		
Range	1S, 3S, 6S, 10S, 30S, 60S, 3M, 6M, 10M, 30M, 60M, 3H, 10H, 30H, 60H	
Wight	165g	160g

Specification

Power Supply	12 or 24 VAC/DC or 230V or 380 VAC 50/60Hz
Wattage Consump.	3VA max
Control Output	Relay
Contact Rated	10A
Repetivity	0.2% of F.S max.
Setting Accuracy	5% of F.S max.
Reset Time	0.1S max.
Insulation Strength	100MΩ/500VDC
Dielectric Strength	2.5KV/1 min.
Circumstance	-20°~+60°C, 35~85%RH
Life of Relay	20 X 10 ⁶ Times

Connection & Timing Diagram



Dimension & Fixed Hole

