

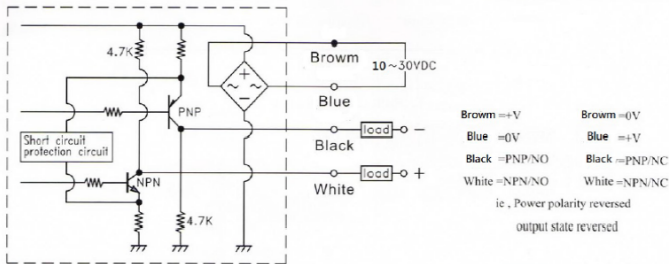


Data approve

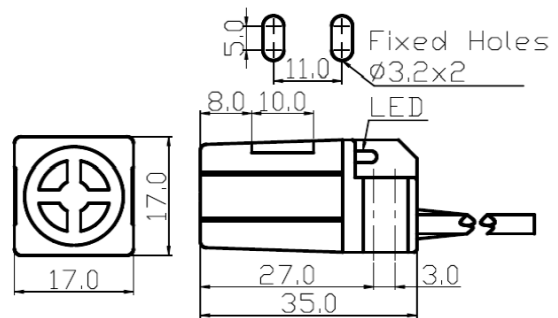
Product	Proximity Sensor	No	FT-SA-191210	Ver.	A0
	Series	PL Series	Date		
Model	型號	PL-05X			
Operating voltage	工作電壓	10 ~ 30VDC			
Ripple of power	電源漣波	20% peak to peak			
Current consumption	耗電流	10mA max.			
Sensing distance	檢測距離	5.0mm			
Hysteresis	應差	10% of sensing distance max.			
Response frequency	響應頻率	800Hz min.			
Output method	輸出方式	NPN & PNP two output NO/NC CHANGEABLE			
Output status	輸出狀態	NO/NC			
Output current	輸出電流	150mA max.			
Residual voltage	殘留電壓	0.1V max.			
Leakage current	洩漏電流	0.8mA max.			
Protection circuit	保護電路	Short circuit & polarity reversed protection			
Connection	線材	3c/4.0Φ X 2m±0.1m			
Dielectric strength	耐電壓強度	2.5kv / 1 minute min.			
Insulation strength	絕緣強度	100 MΩ / 500vdc			
Operating circumstance	工作環境	-20°C ~ +80°C ; 35% ~ 85% RH			
Protection class	保護等級	IP-67			
EMC 標準		ESD : 8kv air charge (level 3) / EN-61000-4-2 Burst test : 2kv / EN61000-4-4 RF interference : 10V / M / ENV-50140			

AlltronicsPerú  
AUTOMATIZACIÓN INDUSTRIAL

Connection Diagram/接線圖



Outline Dimension/外型尺寸圖



發行章



品管部

