



series SU-02

HIGH SPEED U TYPE LABEL SENSOR

- ✧ High Speed Response : 10 KHZ
- ✧ Label Non - Transparent Tape Detectable.
< SU-02X >
- ✧ Mark ON Transparent Tape Detectable.
< SU-02R >
- ✧ Suiting For Label Machine or Packing Machine.



Specification

| Model | SU-02X | SU-02XP | SU-02R | SU-02RP |
|-------------------------------------|---|---------|--------------------|---------|
| Output Method | NPN | PNP | NPN | PNP |
| Emitter | Infrared LED | | Red LED | |
| Operating Voltage | 10~30 VDC ; Current Consumption 40mA max. | | | |
| Output Current | 150mA max. | | | |
| Output Status | NO | | | |
| Sensible Object | Non - Transparent Object | | Transparent Object | |
| Response Frequency | 10KHZ | | | |
| Illumination | Lamplight < 3,000 Lux ; Sunlight < 5,000 Lux. | | | |
| Connection Method | 3 Cores / 4.0φ X 2m | | | |
| Housing Material | PC Plastics | | | |
| Operating Temp./Hum. | -20 C~+70 C ; 35%~85% RH | | | |
| Sensitivity Adjuster | 270 Trimmer | | | |
| Output Circuit & Connection Diagram | <p>NPN</p> | | <p>PNP</p> | |
| Dimension | <p style="text-align: right;">Weight : 65g</p> | | | |



series SU-07

U TYPE MARK & LABEL SENSOR

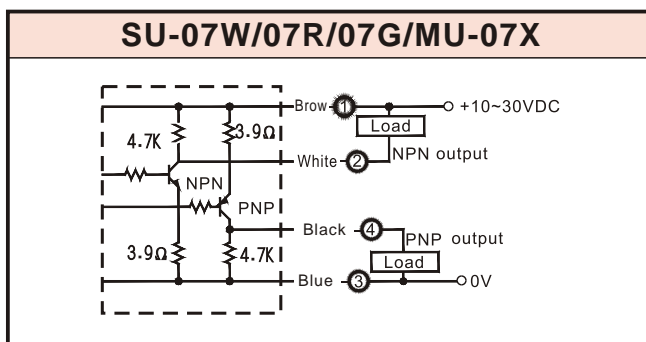
- ※ WHITE LIGHT MARK SENSOR
EASY TO DETECT THE "GREEN" OR
"RED" MARK
- ※ HIGH STABILITY & RELIABILITY
- ※ LOW COST & HIGH QUALITY



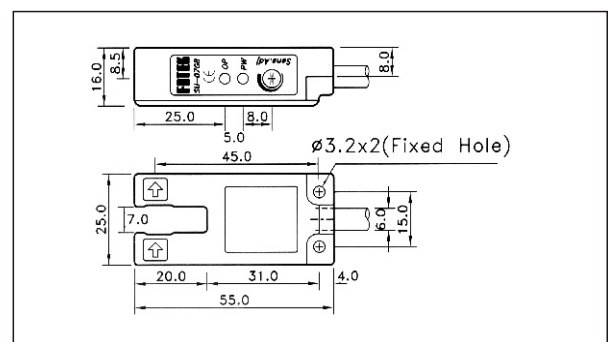
SPECIFICATION

| TYPE 型式 | MARK SENSOR | | | LABEL SENSOR |
|----------------------------|---|-----------|---------|------------------|
| Model 型號 | SU-07W | SU-07G | SU-07R | MU-07X |
| Emitter 發射光源 | White Led | Green Led | Red Led | Infrared Led |
| Operating voltage 工作電壓 | 10-30 VDC; Ripple < 20% of peak to peak | | | |
| Current consumption 消耗電流 | 30 mA max. | | | |
| Sensitivity adjuster | 270° Trimmer | | | |
| Output method 輸出方式 | NPN & PNP two output | | | |
| Output current 輸出電流 | 150 mA max. | | | |
| Output status 輸出狀態 | Standard : NO Type ; SU-07 -B : NC Type | | | |
| Protection circuit 保護迴路 | Short Circuit & Polarity Reversed Protection | | | |
| Sensible object 可被檢測物 | Transparent Object | | | Semi-Transparent |
| Min.sensible object 最小可檢測物 | 2.0 φ | | | |
| Response frequency 響應頻率 | 1 K Hz | | | |
| Illumination 耐外亂光 | Lamp light < 5000 LUX ; Sunlight < 10,000 LUX | | | |
| Connection method 接線方式 | 4 φ / 4 φ X 2m | | | |
| Housing material 外殼材質 | Intensive ABS | | | |
| Operating temp/hum 工作環境 | -20°C ~ + 60°C ; 35% ~ 85 % RH | | | |
| Protection 保護等級 | IP-65 | | | |

Output Circuit & Connection Diagram



Dimension





series SU-07X

U TYPE HIGH SPEED GEAR SENSOR

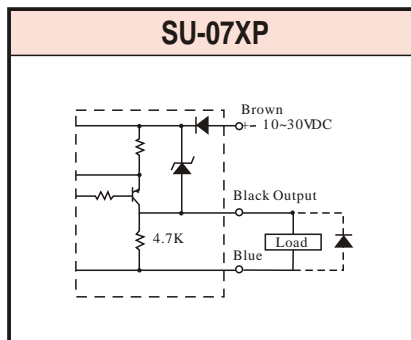
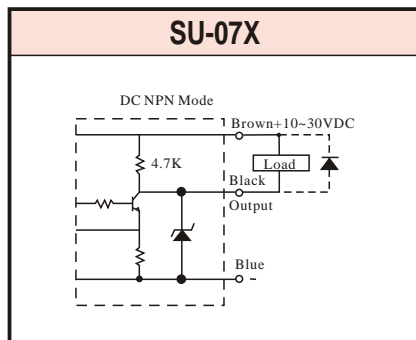
- ※ HIGH SPEED RESPONSE : 5 KHz
- ※ HIGH STABILITY & RELIABILITY
- ※ LOW COST & HIGH QUALITY



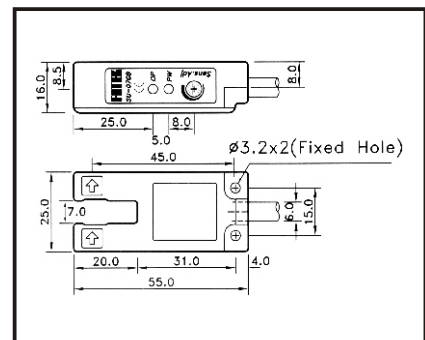
SPECIFICATION

| Model | 型號 | SU-07X | SU-07XP |
|---------------------|--------|--|---------|
| Output method | 輸出方式 | NPN | PNP |
| Operating voltage | 工作電壓 | 10-30 VDC; Ripple < 20% of peak to peak | |
| Current consumption | 消耗電流 | 30 mA max. | |
| Output current | 輸出電流 | 150 mA max. | |
| Protection circuit | 保護迴路 | Short Circuit & Polarity Reversed Protection | |
| Emitter | 發射光源 | Infrared Led | |
| Min.sensible object | 最小可檢測物 | 1.0 ϕ | |
| Response frequency | 響應頻率 | 5 K Hz | |
| Illumination | 耐外亂光 | Lamplight < 5000 LUX ; Sunlight < 10,000 LUX | |
| Connection method | 接線方式 | 4 ϕ / 3 ϕ X 2m | |
| Housing material | 外殼材質 | Intensive ABS | |
| Operating temp/hum | 工作環境 | -20°C ~ + 70°C ; 35% ~ 85 % RH | |
| Protection | 保護等級 | IP-65 | |

Output Circuit & Connection Diagram



Dimension

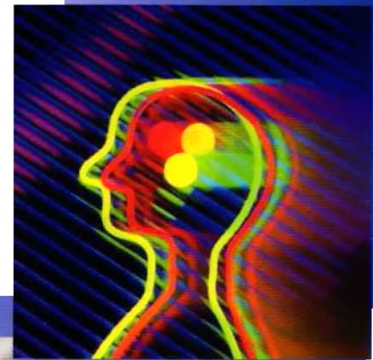




U type
Photo sensor

SU-30 series **CE**

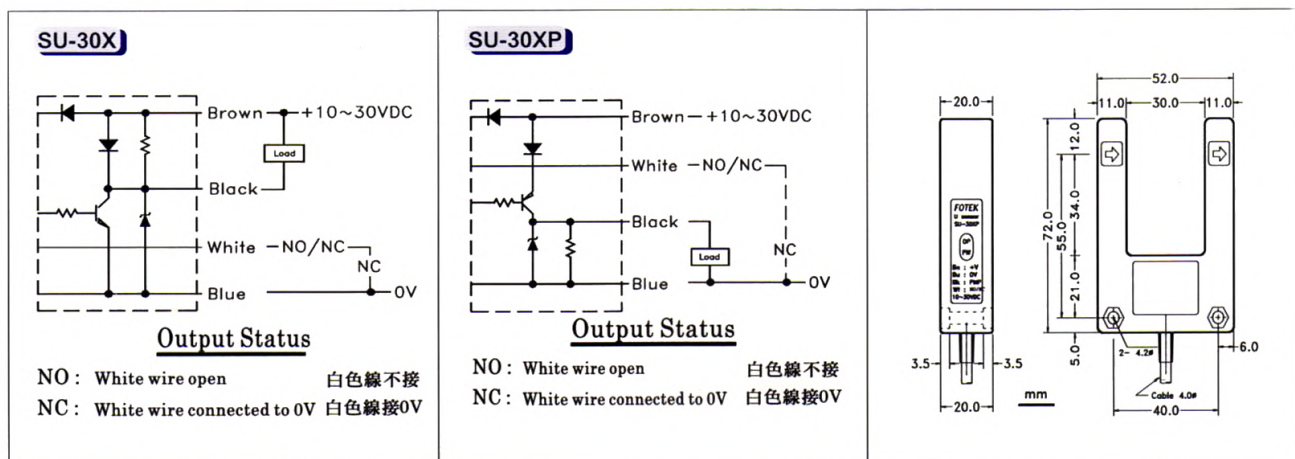
- ◆ Aluminum alloy housi
- ◆ High reliability
- ◆ NO/NC changeable
- ◆ 鋁合金外殼
- ◆ 高可靠度
- ◆ NO / NC 可選擇



◆ Specification / 規格

| Model | 型號 | SU-30X | SU-30XP |
|------------------------|-------|--|---------|
| Output method | 輸出方式 | NPN | PNP |
| Detecting distance | 開口寬度 | 30mm | |
| Emitter | 發射光源 | Infrared LED | |
| Detectable object | 最小檢測物 | Opaque object 4.0 φ min. | |
| Sensitivity adjuster | 感度調整 | non | |
| Operating voltage | 工作電壓 | 10 ~ 30VDC | |
| Ripple of power | 電源漣波 | 20% peak to peak | |
| Current consumption | 消耗電流 | 30mA max. | |
| Response time | 反應時間 | 1.0 ms max. | |
| Output status | 輸出狀態 | NO/NC changeable | |
| Output current | 輸出電流 | 150mA max. | |
| Residual voltage | 殘留電壓 | 0.1V max. | |
| Leakage current | 洩露電流 | 0.8mA max. | |
| Protection circuit | 保護電路 | Short circuit & polarity reversed protection | |
| Housing material | 外殼材質 | Aluminum alloy / 鋁合金 | |
| Noise resistance | 抗干擾 | 2kv/1 μs | |
| Dielectric strength | 電介強度 | 2.5kv / 1 minute min. | |
| Insulation strength | 絕緣強度 | 100 MΩ / 500vdc | |
| Operating circumstance | 工作環境 | -20°C ~ +80°C ; 35% ~ 85% RH | |
| Protection class | 保護等級 | IP-65 | |
| Approval | 認證 | CE | |

◆ Output circuit & connection diagram & Dimension / 輸出回路 & 接線圖 & 外形圖



陽明電機股份有限公司
FOTEK CONTROL CO., LTD.

AlltronicsPerú
 AUTOMATIZACIÓN INDUSTRIAL

Av. Argentina N° 523 Tda. A12
 C. C. ACOPROM Lima 01 - Perú
 Teléfono: 719 9811
 Cel.: 9852-72098 / 9999-38660
 E-mail: ventas.1@alltronicsperu.com
 ventas.2@alltronicsperu.com
www.AlltronicsPerú.com