



FC series 磁簧傳感器

- | | |
|-------------------------------|--------------|
| ■ High compact | 堅固耐用 |
| ■ High Reliability | 高穩定性 |
| ■ High Noise Resistance | 高抗干擾力 |
| ■ Short circuit protection | DC type附短路保護 |
| ■ High protection class IP-67 | 高防水等級IP-67 |



● Model guiding / 型號索引

| Ex. <u>FC-20 R-H-2M</u> | |
|---|---|
| <div style="display: flex; justify-content: space-around; font-size: small;"> 1 2 3 4 5 </div> | |
| 1 Series (系列名稱) | 「FC」: Magnetic sensor 「MS」: M8 Tubular type |
| 2 Model (形式) | 「20」: Plastic housing 「11」: Plastic housing 「05」: Plastic housing 「08」: M8 |
| 3 Output method (輸出方式) | 「R」: Reed contact 「RE」: Output protection 「RN」: Reed contact NPN 「RP」: Reed contact PNP 「N」: NPN output 「P」: PNP output 「D」: Two wire solid state output |
| 4 Sensitivity (感度) or Output status | 「Non」: Standard sensitivity (< 80 Gauss) 「H」: High sensitivity (< 40 Gauss) 「L」: Low sensitivity (< 120 Gauss) 「B」: NC type |
| 5 Connection (出線方式) | 「2M」: 2m cable/ 「1M」: 1m cable/ 「4M」: 4m cable 「PG」: M8 connector Lead wire/ 「PE」: Plastic connector Lead wire |

※ Notice for use / 選型使用注意事項 (*)

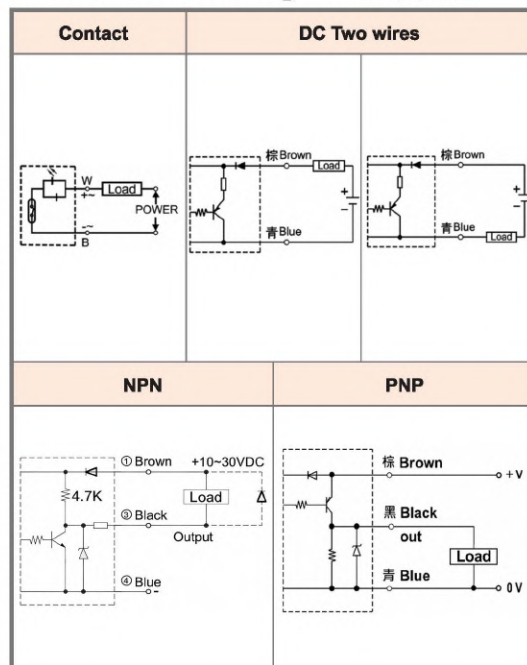
- 所有型號都有輸出短路及極性保護，除「FC-xxR」沒輸出短路保護。
- 請配合氣缸磁環選用適當感度的機型。「感度太高」動作點會提前或易受帶磁外物干擾，「感度太低」無動作或訊號漏失。
- 「2線式」最好不要超過2個以上串聯使用以免無法推動負載。(因每個都有輸出壓降約3.0V)
- 「FC-xxR」及「FC-xxRE」極性反接仍可感應輸出但指示燈不會亮，須更換極性即可正常動作，其他型極性接反則無動作。

- All model with Output short circuit & Polarity reversed protection, excepted 「FC-xxR」.
- Optimum sensitivity of sensor is required, if it is too high to be turned on too early or be interrupted, if it is too low to lose signal.
- It maybe cannot operate the load, if series connection over 2 pieces of 「2 wire type」 sensor.
- 「FC-xxR」 & 「FC-xxRE」 may turn on load but cannot turn on operating LED, other type don't work, if power polarity is reversed.

● General data / 共同規格

| Specification | 規格 | Data | |
|----------------------|------|---|--|
| Sensor | 感應器 | Reed sensor | Hall sensor |
| Contact rated | 接點功率 | 10W max. | --- |
| Output current | 輸出電流 | 50mA or 150mA or 500mA max. | 50mA or 150mA max. |
| Current consumption | 消耗電流 | non | 8mA max. |
| Output protection | 輸出保護 | * | Short circuit & Polarity reversed |
| Vibration resistance | 耐震動 | 50g (490m/S ² / (55 ~ 2000 Hz)) IEC-60068-2-6) | 60g (588m/S ² / (55 ~ 2000 Hz)) (IEC-60068-2-6) |
| Shock resistance | 耐衝擊 | 100g (980m/S ² with 11ms) (IEC-60068-2-27) | 120g (1176m/S ² with 11ms) (IEC-60068-2-27) |
| Protection class | 保護等級 | IP-67 (IEC-60529) | |
| EMC Interference | 電磁相容 | IEC 61000-6-4 | |
| Dielectric strength | 電介強度 | 2.5kv / 1 minute min. | |
| Insulation strength | 絕緣強度 | 100 MΩ / 500vdc | |
| Operation circum. | 工作環境 | -25°C ~ +85°C : 100%RH max. (Condensation permitted) | |

● Connection diagram / 接線圖



Specification / 規格

| Series | Model | Wires | Operating voltage | Output method | Voltage drop | Leakage current | Output current | Sensitivity (Gauss) | Response frequency | Sensor | Housing material | Outline |
|--------|----------|---------|-------------------|---------------|--------------|-----------------|----------------|-----------------------|--------------------|-------------|------------------|---------|
| FC-20 | FC-20R | 2c/4Φ | 5~240VDC/AC | Contact | 3.0V | non | 500mA | H<40 N<80 L<120 | 200Hz | Reed sensor | Intensive Nylon | |
| | FC-20RE | 2c/4Φ | 5~60VDC | Contact | 3.0V | non | 150mA | | | | | |
| | FC-20RN | 3c/4Φ | 5~30VDC | NPN | 3.0V | non | | | | | | |
| | FC-20RP | 3c/4Φ | 5~30VDC | PNP | 3.0V | non | 150mA | <40 | 5KHz | Hall sensor | | |
| | FC-20D | 2c/4Φ | 10~30VDC | T | 3.5V | 0.5mA | | | | | | |
| | FC-20N | 3c/4Φ | 5~30VDC | NPN | 0.8V | 0.1mA | | | | | | |
| FC-20P | 3c/4Φ | 5~30VDC | PNP | 0.8V | 0.1mA | | | | | | | |
| FC-04 | FC-04R | 2c/3Φ | 5~240VDC/AC | Contact | 3.0V | non | 500mA | H<40 N<80 L<120 | 200Hz | Reed sensor | Intensive Nylon | |
| | FC-04RE | 2c/3Φ | 5~60VDC | Contact | 3.0V | non | 50mA | | | | | |
| | FC-04D | 2c/3Φ | 10~30VDC | T | 3.5V | 0.5mA | 150mA | | | | | |
| | FC-04N | 3c/3Φ | 5~30VDC | NPN | 0.8V | 0.1mA | | | | | | |
| | FC-04P | 3c/3Φ | 5~30VDC | PNP | 0.8V | 0.1mA | | | | | | |
| FC-05 | FC-05R | 2c/3Φ | 5~240VDC/AC | Contact | 3.0V | non | 500mA | H<40 N<80 L<120 | 200Hz | Reed sensor | Intensive Nylon | |
| | FC-05RE | 2c/3Φ | 5~60VDC | Contact | 3.0V | non | 50mA | | | | | |
| | FC-05D | 2c/3Φ | 10~30VDC | T | 3.5V | 0.5mA | 150mA | | | | | |
| | FC-05N | 3c/3Φ | 5~30VDC | NPN | 0.8V | 0.1mA | | | | | | |
| | FC-05P | 3c/3Φ | 5~30VDC | PNP | 0.8V | 0.1mA | | | | | | |
| FC-10 | FC-10D | 2c/3Φ | 10~30VDC | T | 3.5V | 0.5mA | 150mA | <40 | 5KHz | Hall sensor | ABS | |
| | FC-10N | 3c/3Φ | 5~30VDC | NPN | 0.8V | 0.1mA | | | | | | |
| | FC-10P | 3c/3Φ | 5~30VDC | PNP | 0.8V | 0.1mA | | | | | | |
| FC-11 | FC-11R | 2c/3Φ | 5~240VDC/AC | Contact | 3.0V | non | 500mA | H<40 N<80 L<120 | 200Hz | Reed sensor | Intensive Nylon | |
| | FC-11RE | 2c/3Φ | 5~60VDC | Contact | 3.0V | non | 50mA | | | | | |
| | FC-11D | 2c/3Φ | 10~30VDC | T | 3.5V | 0.5mA | 150mA | | | | | |
| | FC-11N | 3c/3Φ | 5~30VDC | NPN | 0.8V | 0.1mA | | | | | | |
| | FC-11P | 3c/3Φ | 5~30VDC | PNP | 0.8V | 0.1mA | | | | | | |
| FC-36 | FC-36D | 2c/2.5Φ | 10~30VDC | T | 3.5V | 0.5mA | 50mA | <40 | 5KHz | Hall sensor | Intensive Nylon | |
| | FC-36N | 3c/2.5Φ | 5~30VDC | NPN | 0.8V | 0.1mA | | | | | | |
| | FC-36P | 3c/2.5Φ | 5~30VDC | PNP | 0.8V | 0.1mA | | | | | | |
| FC-37 | FC-37D | 2c/2.5Φ | 10~30VDC | T | 3.5V | 0.5mA | 50mA | <40 | 5KHz | Hall sensor | Intensive Nylon | |
| | FC-37N | 3c/2.5Φ | 5~30VDC | NPN | 0.8V | 0.1mA | | | | | | |
| | FC-37P | 3c/2.5Φ | 5~30VDC | PNP | 0.8V | 0.1mA | | | | | | |
| FC-47 | FC-47R | 2c/3Φ | 5~240VDC/AC | Contact | 3.0V | non | 500mA | H<40 N<80 L<120 | 200Hz | Reed sensor | Intensive Nylon | |
| | FC-47RE | 2c/3Φ | 5~60VDC | Contact | 3.0V | non | 50mA | | | | | |
| | FC-47D | 2c/3Φ | 10~30VDC | T | 3.5V | 0.5mA | 150mA | | | | | |
| | FC-47N | 3c/3Φ | 5~30VDC | NPN | 0.8V | 0.1mA | | | | | | |
| | FC-47P | 3c/3Φ | 5~30VDC | PNP | 0.8V | 0.1mA | | | | | | |
| FC-48 | FC-48R | 2c/3Φ | 5~240VDC/AC | Contact | 3.0V | non | 500mA | H<40 N<80 L<120 | 200Hz | Reed sensor | Intensive Nylon | |
| | FC-48RE | 2c/3Φ | 5~60VDC | Contact | 3.0V | non | 50mA | | | | | |
| | FC-48D | 2c/3Φ | 10~30VDC | T | 3.5V | 0.5mA | 150mA | | | | | |
| | FC-48N | 3c/3Φ | 5~30VDC | NPN | 0.8V | 0.1mA | | | | | | |
| | FC-48P | 3c/3Φ | 5~30VDC | PNP | 0.8V | 0.1mA | | | | | | |
| FC-50 | FC-50R | 2c/3Φ | 5~240VDC/AC | Contact | 3.0V | non | 500mA | H<40 N<80 L<120 | 200Hz | Reed sensor | Intensive Nylon | |
| | FC-50RE | 2c/3Φ | 5~60VDC | Contact | 3.0V | non | 50mA | | | | | |
| | FC-50D | 2c/3Φ | 10~30VDC | T | 3.5V | 0.5mA | 150mA | | | | | |
| | FC-50N | 3c/3Φ | 5~30VDC | NPN | 0.8V | 0.1mA | | | | | | |
| | FC-50P | 3c/3Φ | 5~30VDC | PNP | 0.8V | 0.1mA | | | | | | |
| FC-50S | FC-50SR | 2c/3Φ | 5~240VDC/AC | Contact | 3.0V | non | 500mA | H<40 N<80 L<120 | 200Hz | Reed sensor | Intensive Nylon | |
| | FC-50SRE | 2c/3Φ | 5~60VDC | Contact | 3.0V | non | 50mA | | | | | |
| | FC-50SD | 2c/3Φ | 10~30VDC | T | 3.5V | 0.5mA | 150mA | | | | | |
| | FC-50SN | 3c/3Φ | 5~30VDC | NPN | 0.8V | 0.1mA | | | | | | |
| | FC-50SP | 3c/3Φ | 5~30VDC | PNP | 0.8V | 0.1mA | | | | | | |
| FC-53 | FC-53R | 2c/3Φ | 5~240VDC/AC | Contact | 3.0V | non | 500mA | <40 | 200Hz | Reed | Intensive ABS | |
| | FC-53D | 2c/3Φ | 10~30VDC | T | 3.5V | 0.5mA | 150mA | <40 | 5KHz | Hall | | |
| FC-59 | FC-59R | 2c/2.5Φ | 5~240VDC/AC | Contact | 3.0V | non | 500mA | <40 | 200Hz | Reed sensor | Intensive Nylon | |
| | FC-59RE | 2c/2.5Φ | 5~60VDC | Contact | 3.0V | non | 50mA | | | | | |
| | FC-59D | 2c/2.5Φ | 10~30VDC | T | 3.5V | 0.5mA | 150mA | <40 | 5KHz | Hall sensor | | |
| | FC-59N | 3c/2.5Φ | 5~30VDC | NPN | 0.8V | 0.1mA | | | | | | |

FC series 磁簧傳感器

● Specification / 規格

| Series | Model | Wires | Operating voltage | Output method | Voltage drop | Leakage current | Output current | Sensitivity (Gauss) | Response frequency | Sensor | Housing material | Outline |
|--------|----------|---------|-------------------|---------------|--------------|-----------------|----------------|-----------------------|-----------------------|-------------|-------------------|-------------------|
| FC-06 | FC-06R | 2c/2.5Φ | 5~240VDC/AC | Contact | 3.0V | non | 500mA | H<40 N<80 L<120 | 200Hz | Reed | Intensive Nylon | |
| | FC-06RE | 2c/2.5Φ | 5~60VDC | Contact | 3.0V | non | 50mA | <40 | 5K Hz | Hall sensor | | |
| | FC-06D | 2c/2.5Φ | 10~30VDC | T | 3.5V | 0.5mA | 150mA | | | | | |
| | FC-06N | 3c/2.5Φ | 5~30VDC | NPN | 0.8V | 0.1mA | | | | | | |
| | FC-06P | 3c/2.5Φ | 5~30VDC | PNP | 0.8V | 0.1mA | | | | | | |
| FC-07 | FC-07R | 2c/2.5Φ | 5~240VDC/AC | Contact | 3.0V | non | | 500mA | H<40 N<80 L<120 | 200Hz | Reed | Intensive Nylon |
| | FC-07RE | 2c/2.5Φ | 5~60VDC | Contact | 3.0V | non | 50mA | <40 | 5K Hz | Hall sensor | | |
| | FC-07D | 2c/2.5Φ | 10~30VDC | T | 3.5V | 0.5mA | 150mA | | | | | |
| | FC-07N | 3c/2.5Φ | 5~30VDC | NPN | 0.8V | 0.1mA | | | | | | |
| | FC-07P | 3c/2.5Φ | 5~30VDC | PNP | 0.8V | 0.1mA | | | | | | |
| MS-08 | MS08-10N | 3c/4Φ | 5~30VDC | NPN | 0.8V | 0.1mA | | 150mA | <40 | 5K Hz | Hall | Cu |
| | MS08-10P | 3c/4Φ | 5~30VDC | PNP | 0.8V | 0.1mA | | | | | | |
| FC-08 | FC-08R | 2c/4Φ | 5~240VDC/AC | Contact | 3.0V | non | 500mA | <40 | 200Hz | Reed | Cu | |
| | FC-08D | 2c/2.5Φ | 10~30VDC | T | 3.5V | 0.5mA | 150mA | | | | | |
| | FC-08N | 3c/3Φ | 5~30VDC | NPN | 0.8V | 0.1mA | | | | | | |
| FC-20z | FC-20zR | 2c/4Φ | 5~240VDC/AC | Contact | 3.0V | non | 500mA | H/N/L | 200Hz | Reed | Die cast Zn alloy | |
| | FC-20zD | 2c/4Φ | 10~30VDC | T | 3.5V | 0.5mA | 150mA | | | | | |
| | FC-20zN | 3c/4Φ | 5~30VDC | NPN | 0.8V | 0.1mA | | | | | | |
| | FC-20zP | 3c/4Φ | 5~30VDC | PNP | 0.8V | 0.1mA | | | | | | |
| FC-05z | FC-05zR | 2c/3Φ | 5~240VDC/AC | Contact | 3.0V | non | 500mA | H/N/L | 200Hz | Hall sensor | Die cast Zn alloy | |
| | FC-05zD | 2c/3Φ | 10~30VDC | T | 3.5V | 0.5mA | 150mA | | | | | |
| | FC-05zN | 3c/3Φ | 5~30VDC | NPN | 0.8V | 0.1mA | | | | | | |
| | FC-05zP | 3c/3Φ | 5~30VDC | PNP | 0.8V | 0.1mA | | | | | | |
| FC-36z | FC-36zD | 2c/2.5Φ | 10~30VDC | T | 3.5V | 0.5mA | 50mA | <40 | 5K Hz | Hall sensor | Die cast Zn alloy | |
| | FC-36zN | 3c/2.5Φ | 5~30VDC | NPN | 0.8V | 0.1mA | | | | | | |
| | FC-36zP | 3c/2.5Φ | 5~30VDC | PNP | 0.8V | 0.1mA | | | | | | |
| FC-58z | FC-58zR | 2c/2.5Φ | 5~120VDC/AC | Contact | 3.0V | non | 100mA | <120 | 200Hz | Reed | Die cast Zn alloy | |
| | FC-58zRE | 2c/2.5Φ | 5~60VDC | Contact | 3.0V | non | 50mA | | | | | |
| | FC-58zRN | 3c/2.5Φ | 5~30VDC | NPN | 0.8V | 0.1mA | 150mA | | | | | |
| | FC-58zRP | 3c/2.5Φ | 5~30VDC | PNP | 0.8V | 0.1mA | | | | | | |
| FC-06z | FC-06zR | 2c/2.5Φ | 5~240VDC/AC | Contact | 3.0V | non | 500mA | H<40 N<80 L<120 | 200Hz | Reed | Die cast Zn alloy | |
| | FC-06zRE | 2c/2.5Φ | 5~60VDC | Contact | 3.0V | non | 50mA | | | | | |
| | FC-06zD | 2c/2.5Φ | 10~30VDC | T | 3.5V | 0.5mA | 150mA | | | | | |
| | FC-06zN | 3c/2.5Φ | 5~30VDC | NPN | 0.8V | 0.1mA | | | | | | |
| | FC-06zP | 3c/2.5Φ | 5~30VDC | PNP | 0.8V | 0.1mA | | | | | | |
| FC-07z | FC-07zR | 2c/2.5Φ | 5~240VDC/AC | Contact | 3.0V | non | | 500mA | H<40 N<80 L<120 | 200Hz | Reed | Die cast Zn alloy |
| | FC-07zRE | 2c/2.5Φ | 5~60VDC | Contact | 3.0V | non | 50mA | | | | | |
| | FC-07zD | 2c/2.5Φ | 10~30VDC | T | 3.5V | 0.5mA | 150mA | | | | | |
| | FC-07zN | 3c/2.5Φ | 5~30VDC | NPN | 0.8V | 0.1mA | | | | | | |
| | FC-07zP | 3c/2.5Φ | 5~30VDC | PNP | 0.8V | 0.1mA | | | | | | |
| FC-T12 | FC-T12R | 2c/3Φ | 5~240VDC/AC | Contact | 3.0V | non | | 100mA | <40 | 200Hz | Reed sensor | PC |
| | FC-T12RE | 2c/3Φ | 5~60VDC | Contact | 3.0V | non | 50mA | | | | | |
| FC-12 | FC-12R | 2c/4Φ | 5~240VDC/AC | Contact | 3.0V | non | 500mA | <40 | 200Hz | Reed | Cu | |
| | FC-12D | 2c/4Φ | 10~30VDC | T | 3.5V | 0.5mA | 150mA | | | | | |
| | FC-12N | 3c/4Φ | 5~30VDC | NPN | 0.8V | 0.1mA | | | | | | |
| | FC-12P | 3c/4Φ | 5~30VDC | PNP | 0.8V | 0.1mA | | | | | | |
| FC-18 | FC-18RE | 2c/4Φ | 5~60VDC | Contact | 3.0V | non | 500mA | <40 | 200Hz | Reed sensor | PP | |
| | FC-18N | 3c/4Φ | 5~30VDC | NPN | 0.8V | 0.01mA | 150mA | | | | | |

Fixed parts / 固定帶

| PNS/PNA (for FC-20) | | BSS/BSA (for FC-48) / BES/BEA (for FC-04) | | | | | | PH (for FC-20) | | | | | | | | | | | | | | | | | | | | | | | | | | | | | | | | | | | | | | | | | | | | | | | | | | | | | | | | | | | | | | | | |
|---|-------|---|-------------------|-------------------|---------------------------------|-------------------|-------------------|----------------------------|-------------------------|------|-------|--------|--|------|-------|-----|--|------|-------|------|--|------|-------|------|--|------|-------|------|--|-----------------------|--|---|--|--|--|--|--|----|----|---|---|---|------|--|------|------|-----|------|--|------|------|-----|-------|--|------|------|------|-------|--|------|------|------|-------|--|------|------|------|-------|--|------|------|------|
| | | Alumina alloy cylinder | | | Stainless steel cylinder | | | | | | | | | | | | | | | | | | | | | | | | | | | | | | | | | | | | | | | | | | | | | | | | | | | | | | | | | | | | | | | | | | | |
| | | Model | Inner dia. | Outer dia. | Model | Inner dia. | Outer dia. | Model | dia. of cylinder | | | | | | | | | | | | | | | | | | | | | | | | | | | | | | | | | | | | | | | | | | | | | | | | | | | | | | | | | | | | | | | |
| | | BSA-20 / BEA-20 | 20Φ | 25Φ | BSS-06 / BES-06 | 6Φ | 8.5Φ | PH-63 | 6~63Φ | | | | | | | | | | | | | | | | | | | | | | | | | | | | | | | | | | | | | | | | | | | | | | | | | | | | | | | | | | | | | | | |
| | | BSA-25 / BEA-25 | 25Φ | 30Φ | BSS-08 / BES-08 | 8Φ | 10Φ | PH-125 | 6~125Φ | | | | | | | | | | | | | | | | | | | | | | | | | | | | | | | | | | | | | | | | | | | | | | | | | | | | | | | | | | | | | | | |
| | | BSA-30 / BEA-30 | 30Φ | 35Φ | BSS-10 / BES-10 | 10Φ | 11Φ | Magnet / 鐵 [MS-06] | | | | | | | | | | | | | | | | | | | | | | | | | | | | | | | | | | | | | | | | | | | | | | | | | | | | | | | | | | | | | | | | |
| | | BSA-32 / BEA-32 | 32Φ | 38Φ | BSS-12 / BES-12 | 12Φ | 13.2Φ | | | | | | | | | | | | | | | | | | | | | | | | | | | | | | | | | | | | | | | | | | | | | | | | | | | | | | | | | | | | | | | | | |
| | | BSA-40 / BEA-40 | 40Φ | 47Φ | BSS-16 / BES-16 | 16Φ | 17Φ | Magnet / 鐵 [MS-59] | | | | | | | | | | | | | | | | | | | | | | | | | | | | | | | | | | | | | | | | | | | | | | | | | | | | | | | | | | | | | | | | |
| | | BSA-50 / BEA-50 | 50Φ | 58Φ | BSS-20 / BES-20 | 20Φ | 21.5Φ | | | | | | | | | | | | | | | | | | | | | | | | | | | | | | | | | | | | | | | | | | | | | | | | | | | | | | | | | | | | | | | | | |
| | | BSA-63 / BEA-63 | 63Φ | 72Φ | BSS-25 / BES-25 | 25Φ | 26.5Φ | Magnet / 鐵 [MS-T12] | | | | | | | | | | | | | | | | | | | | | | | | | | | | | | | | | | | | | | | | | | | | | | | | | | | | | | | | | | | | | | | | |
| | | BSA-80 / BEA-80 | 80Φ | 89Φ | BSS-32 / BES-32 | 32Φ | 33.5Φ | | | | | | | | | | | | | | | | | | | | | | | | | | | | | | | | | | | | | | | | | | | | | | | | | | | | | | | | | | | | | | | | | |
| | | BSA-100 / BEA-100 | 100Φ | 110Φ | BSS-40 / BES-40 | 40Φ | 42Φ | | | | | | | | | | | | | | | | | | | | | | | | | | | | | | | | | | | | | | | | | | | | | | | | | | | | | | | | | | | | | | | | | |
| | | | | | BSS-50 / BES-50 | 50Φ | 52Φ | | | | | | | | | | | | | | | | | | | | | | | | | | | | | | | | | | | | | | | | | | | | | | | | | | | | | | | | | | | | | | | | | |
| | | | | | BSS-63 / BES-63 | 63Φ | 65Φ | | | | | | | | | | | | | | | | | | | | | | | | | | | | | | | | | | | | | | | | | | | | | | | | | | | | | | | | | | | | | | | | | |
| BES/BEA (for FC-04) | | | | | | | | | | | | | | | | | | | | | | | | | | | | | | | | | | | | | | | | | | | | | | | | | | | | | | | | | | | | | | | | | | | | | | | | |
| DT (for FC-07) | | 型號 | A | B | | | | | | | | | | | | | | | | | | | | | | | | | | | | | | | | | | | | | | | | | | | | | | | | | | | | | | | | | | | | | | | | | | | | |
| | | DT07-1 | 7.90 | 4.0Φ~6.0Φ | | | | | | | | | | | | | | | | | | | | | | | | | | | | | | | | | | | | | | | | | | | | | | | | | | | | | | | | | | | | | | | | | | | | |
| | | DT07-2 | 10.4 | 8.0Φ~10.0Φ | | | | | | | | | | | | | | | | | | | | | | | | | | | | | | | | | | | | | | | | | | | | | | | | | | | | | | | | | | | | | | | | | | | | |
| | | DT07-3 | 15.1 | 12.0Φ~14.0Φ | | | | | | | | | | | | | | | | | | | | | | | | | | | | | | | | | | | | | | | | | | | | | | | | | | | | | | | | | | | | | | | | | | | | |
| <table border="1"> <thead> <tr> <th>Model</th> <th>A</th> <th>Inner dia.</th> <th>PI (for FC-20)</th> </tr> </thead> <tbody> <tr> <td>PI-1</td> <td>11.20</td> <td>32~40Φ</td> <td></td> </tr> <tr> <td>PI-2</td> <td>14.10</td> <td>50~63Φ</td> <td></td> </tr> <tr> <td>PI-3</td> <td>15.50</td> <td>80Φ</td> <td></td> </tr> <tr> <td>PI-4</td> <td>16.30</td> <td>100Φ</td> <td></td> </tr> <tr> <td>PI-5</td> <td>19.80</td> <td>125Φ</td> <td></td> </tr> <tr> <td>PI-6</td> <td>26.50</td> <td>150Φ</td> <td></td> </tr> </tbody> </table> | | Model | A | Inner dia. | PI (for FC-20) | PI-1 | 11.20 | 32~40Φ | | PI-2 | 14.10 | 50~63Φ | | PI-3 | 15.50 | 80Φ | | PI-4 | 16.30 | 100Φ | | PI-5 | 19.80 | 125Φ | | PI-6 | 26.50 | 150Φ | | PM (for FC-20) | | <table border="1"> <thead> <tr> <th>型號</th> <th>尺寸</th> <th>A</th> <th>B</th> <th>C</th> </tr> </thead> <tbody> <tr> <td>PM-6</td> <td></td> <td>19.1</td> <td>31.3</td> <td>7.3</td> </tr> <tr> <td>PM-8</td> <td></td> <td>18.4</td> <td>33.5</td> <td>9.5</td> </tr> <tr> <td>PM-10</td> <td></td> <td>16.7</td> <td>35.7</td> <td>11.2</td> </tr> <tr> <td>PM-12</td> <td></td> <td>20.0</td> <td>35.5</td> <td>11.5</td> </tr> <tr> <td>PM-14</td> <td></td> <td>24.0</td> <td>38.0</td> <td>13.5</td> </tr> <tr> <td>PM-16</td> <td></td> <td>24.0</td> <td>40.0</td> <td>15.5</td> </tr> </tbody> </table> | | | | | | 型號 | 尺寸 | A | B | C | PM-6 | | 19.1 | 31.3 | 7.3 | PM-8 | | 18.4 | 33.5 | 9.5 | PM-10 | | 16.7 | 35.7 | 11.2 | PM-12 | | 20.0 | 35.5 | 11.5 | PM-14 | | 24.0 | 38.0 | 13.5 | PM-16 | | 24.0 | 40.0 | 15.5 |
| Model | A | Inner dia. | PI (for FC-20) | | | | | | | | | | | | | | | | | | | | | | | | | | | | | | | | | | | | | | | | | | | | | | | | | | | | | | | | | | | | | | | | | | | | | |
| PI-1 | 11.20 | 32~40Φ | | | | | | | | | | | | | | | | | | | | | | | | | | | | | | | | | | | | | | | | | | | | | | | | | | | | | | | | | | | | | | | | | | | | | | |
| PI-2 | 14.10 | 50~63Φ | | | | | | | | | | | | | | | | | | | | | | | | | | | | | | | | | | | | | | | | | | | | | | | | | | | | | | | | | | | | | | | | | | | | | | |
| PI-3 | 15.50 | 80Φ | | | | | | | | | | | | | | | | | | | | | | | | | | | | | | | | | | | | | | | | | | | | | | | | | | | | | | | | | | | | | | | | | | | | | | |
| PI-4 | 16.30 | 100Φ | | | | | | | | | | | | | | | | | | | | | | | | | | | | | | | | | | | | | | | | | | | | | | | | | | | | | | | | | | | | | | | | | | | | | | |
| PI-5 | 19.80 | 125Φ | | | | | | | | | | | | | | | | | | | | | | | | | | | | | | | | | | | | | | | | | | | | | | | | | | | | | | | | | | | | | | | | | | | | | | |
| PI-6 | 26.50 | 150Φ | | | | | | | | | | | | | | | | | | | | | | | | | | | | | | | | | | | | | | | | | | | | | | | | | | | | | | | | | | | | | | | | | | | | | | |
| 型號 | 尺寸 | A | B | C | | | | | | | | | | | | | | | | | | | | | | | | | | | | | | | | | | | | | | | | | | | | | | | | | | | | | | | | | | | | | | | | | | | | |
| PM-6 | | 19.1 | 31.3 | 7.3 | | | | | | | | | | | | | | | | | | | | | | | | | | | | | | | | | | | | | | | | | | | | | | | | | | | | | | | | | | | | | | | | | | | | |
| PM-8 | | 18.4 | 33.5 | 9.5 | | | | | | | | | | | | | | | | | | | | | | | | | | | | | | | | | | | | | | | | | | | | | | | | | | | | | | | | | | | | | | | | | | | | |
| PM-10 | | 16.7 | 35.7 | 11.2 | | | | | | | | | | | | | | | | | | | | | | | | | | | | | | | | | | | | | | | | | | | | | | | | | | | | | | | | | | | | | | | | | | | | |
| PM-12 | | 20.0 | 35.5 | 11.5 | | | | | | | | | | | | | | | | | | | | | | | | | | | | | | | | | | | | | | | | | | | | | | | | | | | | | | | | | | | | | | | | | | | | |
| PM-14 | | 24.0 | 38.0 | 13.5 | | | | | | | | | | | | | | | | | | | | | | | | | | | | | | | | | | | | | | | | | | | | | | | | | | | | | | | | | | | | | | | | | | | | |
| PM-16 | | 24.0 | 40.0 | 15.5 | | | | | | | | | | | | | | | | | | | | | | | | | | | | | | | | | | | | | | | | | | | | | | | | | | | | | | | | | | | | | | | | | | | | |

Magnetic ring / 磁環

| § RME series Rubber anisotropic magnetic ring | | Dimension (mm) | | | Dimension (mm) | | | | | | | | | | | | | | | | | | | | | | |
|---|-------------------|----------------|--------------|-------|-------------------|-----------|----------------|-----------|----------------|-------|----------------|-----|--------------|-----|--------|----|----------|------|---------------|---------|------|-----|-----|---------|------|-----|-----|
| | | A±0.3 | B±0.2 | C±0.1 | Model | A±0.3 | B±0.2 | C±0.1 | | | | | | | | | | | | | | | | | | | |
| | | RME-164 | 15.5 | 8.3 | 4.0 | RME-165 | 15.5 | 8.3 | 5.0 | | | | | | | | | | | | | | | | | | |
| <table border="1"> <tr> <td>使用環境溫度</td> <td>-25°C ~ 80°C</td> </tr> <tr> <td>磁通密度</td> <td>2,500~2,600 GAUSS</td> </tr> <tr> <td>保磁力 (iHC)</td> <td>2,800~3,200 Oe</td> </tr> <tr> <td>保磁力 (bHC)</td> <td>2,100~2,400 Oe</td> </tr> <tr> <td>最大磁積能</td> <td>1.3 ~ 1.5 M Oe</td> </tr> <tr> <td>磁阻力</td> <td>20~50kgf/cm2</td> </tr> <tr> <td>延展性</td> <td>10~20%</td> </tr> <tr> <td>硬度</td> <td>30~50 HV</td> </tr> <tr> <td>材料密度</td> <td>1.2~1.8 g/cm3</td> </tr> </table> | | 使用環境溫度 | -25°C ~ 80°C | 磁通密度 | 2,500~2,600 GAUSS | 保磁力 (iHC) | 2,800~3,200 Oe | 保磁力 (bHC) | 2,100~2,400 Oe | 最大磁積能 | 1.3 ~ 1.5 M Oe | 磁阻力 | 20~50kgf/cm2 | 延展性 | 10~20% | 硬度 | 30~50 HV | 材料密度 | 1.2~1.8 g/cm3 | RME-204 | 19.5 | 9.3 | 4.0 | RME-205 | 19.5 | 9.3 | 5.0 |
| 使用環境溫度 | -25°C ~ 80°C | | | | | | | | | | | | | | | | | | | | | | | | | | |
| 磁通密度 | 2,500~2,600 GAUSS | | | | | | | | | | | | | | | | | | | | | | | | | | |
| 保磁力 (iHC) | 2,800~3,200 Oe | | | | | | | | | | | | | | | | | | | | | | | | | | |
| 保磁力 (bHC) | 2,100~2,400 Oe | | | | | | | | | | | | | | | | | | | | | | | | | | |
| 最大磁積能 | 1.3 ~ 1.5 M Oe | | | | | | | | | | | | | | | | | | | | | | | | | | |
| 磁阻力 | 20~50kgf/cm2 | | | | | | | | | | | | | | | | | | | | | | | | | | |
| 延展性 | 10~20% | | | | | | | | | | | | | | | | | | | | | | | | | | |
| 硬度 | 30~50 HV | | | | | | | | | | | | | | | | | | | | | | | | | | |
| 材料密度 | 1.2~1.8 g/cm3 | | | | | | | | | | | | | | | | | | | | | | | | | | |
| | | RME-254 | 24.5 | 13.3 | 4.0 | RME-205L | 19.5 | 12.3 | 5.0 | | | | | | | | | | | | | | | | | | |
| | | RME-254L | 24.5 | 17.3 | 4.0 | RME-255 | 24.5 | 13.3 | 5.0 | | | | | | | | | | | | | | | | | | |
| | | RME-304 | 29.5 | 21.3 | 4.0 | RME-305 | 29.5 | 21.3 | 5.0 | | | | | | | | | | | | | | | | | | |
| | | RME-324 | 31.5 | 21.3 | 4.0 | RME-325 | 31.5 | 21.3 | 5.0 | | | | | | | | | | | | | | | | | | |
| | | RME-404 | 39.5 | 22.3 | 4.0 | RME-405 | 39.5 | 22.3 | 5.0 | | | | | | | | | | | | | | | | | | |
| | | RME-504 | 49.5 | 32.3 | 4.0 | RME-505 | 49.5 | 32.3 | 5.0 | | | | | | | | | | | | | | | | | | |
| | | RME-634 | 62.5 | 42.3 | 4.0 | RME-635 | 62.5 | 42.3 | 5.0 | | | | | | | | | | | | | | | | | | |
| | | RME-804 | 79.5 | 58.3 | 4.0 | RME-805 | 79.5 | 58.3 | 5.0 | | | | | | | | | | | | | | | | | | |
| | | RME-1004 | 99.5 | 78.3 | 4.0 | RME-1005 | 99.5 | 78.3 | 5.0 | | | | | | | | | | | | | | | | | | |
| | | RME-1254S | 124.5 | 79.3 | 4.0 | | | | | | | | | | | | | | | | | | | | | | |
| | | RME-1254 | 124.5 | 108.3 | 4.0 | | | | | | | | | | | | | | | | | | | | | | |
| | | RME-1504 | 149.5 | 125.3 | 4.0 | | | | | | | | | | | | | | | | | | | | | | |
| | | RME-2004 | 195.5 | 176.3 | 4.0 | | | | | | | | | | | | | | | | | | | | | | |

| § PME series Plastic anisotropic magnetic ring | | Dimension (mm) | | | Dimension (mm) | | | | | | | | | | | | | | | | | | | | | | |
|--|-------------------|----------------|---------------|-------|-------------------|-----------|----------------|-----------|----------------|-------|----------------|-----|--------------|-----|------|----|------------|------|---------------|---------|------|------|-----|---------|------|-----|-----|
| | | A±0.3 | B±0.2 | C±0.1 | Model | A±0.3 | B±0.2 | C±0.1 | | | | | | | | | | | | | | | | | | | |
| | | PME-204 | 19.5 | 9.3 | 4.0 | PME-125 | 11.5 | 6.3 | 5.0 | | | | | | | | | | | | | | | | | | |
| <table border="1"> <tr> <td>使用環境溫度</td> <td>-40°C ~ 120°C</td> </tr> <tr> <td>磁通密度</td> <td>2,800~3,000 GAUSS</td> </tr> <tr> <td>保磁力 (iHC)</td> <td>3,000~3,600 Oe</td> </tr> <tr> <td>保磁力 (bHC)</td> <td>2,400~2,800 Oe</td> </tr> <tr> <td>最大磁積能</td> <td>1.8 ~ 2.0 M Oe</td> </tr> <tr> <td>磁阻力</td> <td>70~80kgf/cm2</td> </tr> <tr> <td>延展性</td> <td>5~7%</td> </tr> <tr> <td>硬度</td> <td>110~120 HV</td> </tr> <tr> <td>材料密度</td> <td>3.8~4.0 g/cm3</td> </tr> </table> | | 使用環境溫度 | -40°C ~ 120°C | 磁通密度 | 2,800~3,000 GAUSS | 保磁力 (iHC) | 3,000~3,600 Oe | 保磁力 (bHC) | 2,400~2,800 Oe | 最大磁積能 | 1.8 ~ 2.0 M Oe | 磁阻力 | 70~80kgf/cm2 | 延展性 | 5~7% | 硬度 | 110~120 HV | 材料密度 | 3.8~4.0 g/cm3 | PME-254 | 24.5 | 13.3 | 4.0 | PME-165 | 15.5 | 8.3 | 5.0 |
| 使用環境溫度 | -40°C ~ 120°C | | | | | | | | | | | | | | | | | | | | | | | | | | |
| 磁通密度 | 2,800~3,000 GAUSS | | | | | | | | | | | | | | | | | | | | | | | | | | |
| 保磁力 (iHC) | 3,000~3,600 Oe | | | | | | | | | | | | | | | | | | | | | | | | | | |
| 保磁力 (bHC) | 2,400~2,800 Oe | | | | | | | | | | | | | | | | | | | | | | | | | | |
| 最大磁積能 | 1.8 ~ 2.0 M Oe | | | | | | | | | | | | | | | | | | | | | | | | | | |
| 磁阻力 | 70~80kgf/cm2 | | | | | | | | | | | | | | | | | | | | | | | | | | |
| 延展性 | 5~7% | | | | | | | | | | | | | | | | | | | | | | | | | | |
| 硬度 | 110~120 HV | | | | | | | | | | | | | | | | | | | | | | | | | | |
| 材料密度 | 3.8~4.0 g/cm3 | | | | | | | | | | | | | | | | | | | | | | | | | | |
| | | PME-304 | 29.5 | 21.3 | 4.0 | PME-205 | 19.5 | 9.3 | 5.0 | | | | | | | | | | | | | | | | | | |
| | | PME-324 | 31.5 | 21.3 | 4.0 | PME-255 | 24.5 | 13.3 | 5.0 | | | | | | | | | | | | | | | | | | |
| | | PME-404 | 39.5 | 22.3 | 4.0 | PME-305 | 29.5 | 21.3 | 5.0 | | | | | | | | | | | | | | | | | | |
| | | PME-504 | 49.5 | 32.3 | 4.0 | PME-325 | 31.5 | 21.3 | 5.0 | | | | | | | | | | | | | | | | | | |
| | | PME-634 | 62.5 | 42.3 | 4.0 | PME-405 | 39.5 | 22.3 | 5.0 | | | | | | | | | | | | | | | | | | |
| | | PME-804 | 79.5 | 58.3 | 4.0 | PME-505 | 49.5 | 32.3 | 5.0 | | | | | | | | | | | | | | | | | | |
| | | PME-1004 | 99.5 | 78.3 | 4.0 | PME-635 | 62.5 | 42.3 | 5.0 | | | | | | | | | | | | | | | | | | |
| | | | | | | PME-805 | 79.5 | 59.3 | 5.0 | | | | | | | | | | | | | | | | | | |
| | | | | | | PME-1005 | 99.5 | 78.3 | 5.0 | | | | | | | | | | | | | | | | | | |