

# Series MY

## Mini type ON DELAY TIMER



AlltronicsPerú



- ☆ High Repetivity : 0.2% of F.S. Max.
- ☆ Reset Time : 0.1S Max.
- ☆ Setting Accuracy : 5 % of F.S. Max.
- ☆ CE Approved : EMC , ESD & LVD
- ☆ Guiding of Model :

**MY - 10S - 2P - 220V**

①            ②            ③            ④

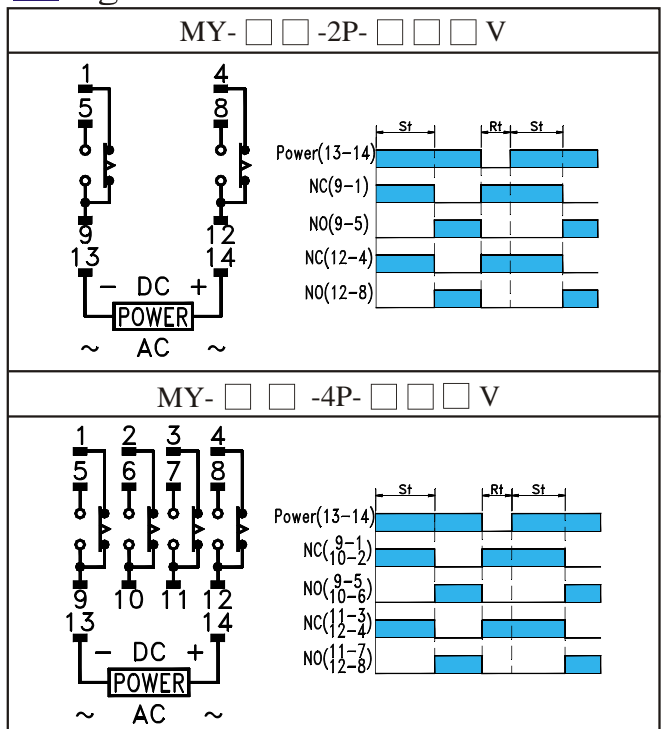
- ① : Series
- ② : Range
- ③ : Contact Poles
- ④ : Operating Voltage



### Specification

MODEL	MY- □□ - □ P- □□□ V
Range	1S/3S/6S/10S/30S 60S/3M/6M/10M/30M 60M/3H/6H/10H/30H
Power Supply	12 or 24 VDC 110V or 220VAC 50/60Hz
Wattage Consump.	3VA max.
Control Output	Relay
Contact Rated	7A/250VAC
Repetivity	0.2% of F.S max.
Setting Accuracy	5% of F.S max.
Reset Time	0.1S max.
Insulation Strength	100MΩ/500VDC
Dielectric Strength	2.5KV/1 min.
Circumstance	-20° ~ +60°C, 35~85%RH
Life of Relay	20 X 10 <sup>6</sup> Times

### Timing Chart Connection & Timing



### Dimension

