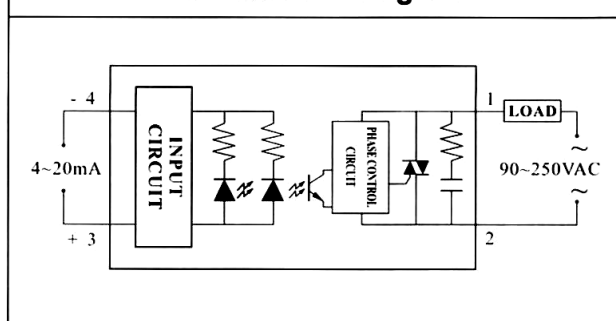


SSR-LA SERIES LINEAR CONTROL SOLID STATE RELAY

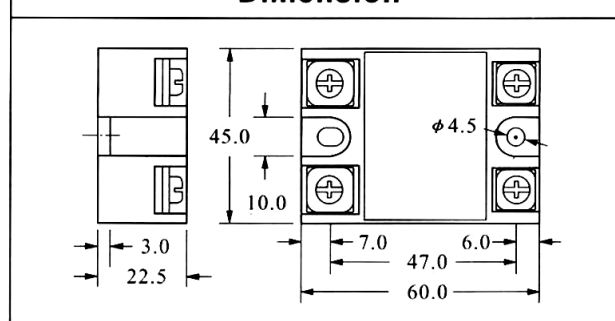
■ Specification

Type	Standard Type			
Model	SSR-25LA	SSR-40LA	SSR-50LA	SSR-75LA
Rated Load Current	25A	40A	50A	75A
Input Data				
Input	4~20mA			
Input Resistance	Appr.1.2KΩ			
Control Method	Phase Control			
Operating Data				
Operating Voltage	90~250 VAC			
Min. Blocking Voltage	600 VAC < Repetitive >			
Max. Duratde Current	275A	410A	550A	820A
Leakage Current	≦ 0.5% of Full Load			
Peak Voltage	Over 1200VAC			
General Data				
Dielectric Strength	Over 2.5KVAC/1min.			
Isolation Strength	Over 50M Ω / 500VDC			
Operating Temperature	-20°C ~ +80°C			
Housing Material	Intensive ABS			
Weight	Appr.105g		Appr.110g	

Connection Diagram



Dimension



Input Current VS Output Current

