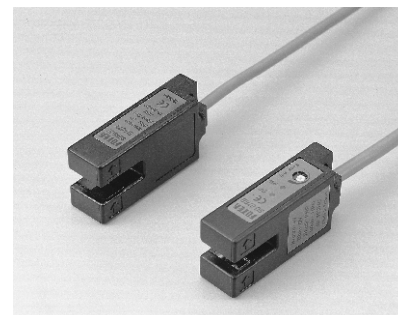


SU-07 series U TYPE MARK & LABEL SENSOR

- ※ WHITE LIGHT MARK SENSOR
- EASY TO DETECT THE “REEN” OR “RED” MARK
- ※ HIGH STABILITY & RELIABILTY
- ※ LOW COST & HIGH QUALITY

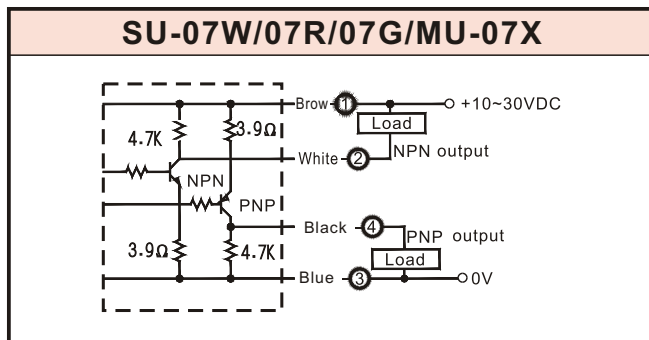


SPECIFICATION

| TYPE 型式 | MARK SENSOR | | | LABEL SENSOR |
|----------------------------|---|-----------|---------|------------------|
| Model 型號 | SU-07W | SU-07G | SU-07R | MU-07X |
| Emitter 發射光源 | White Led | Green Led | Red Led | Infrared Led |
| Operating voltage 工作電壓 | 10-30 VDC; Ripple < 20% of peak to peak | | | |
| Current consumption 消耗電流 | 30 mA max. | | | |
| Sensitivity adjuster | 270° Trimmer | | | |
| Output method 輸出方式 | NPN & PNP two output | | | |
| Output current 輸出電流 | 150 mA max. | | | |
| Output status 輸出狀態 | Standard : NO Type ; SU-07 -B : NC Type | | | |
| Protection circuit 保護迴路 | Short Circuit & Polarity Reversed Protection | | | |
| Sensible object 可被檢測物 | Transparent Object | | | Semi-Transparent |
| Min.sensible object 最小可檢測物 | 2.0 φ | | | |
| Response frequency 響應頻率 | 1 K Hz | | | |
| Illumination 耐外亂光 | Lamp light < 5000 LUX ; Sunlight < 10,000 LUX | | | |
| Connection method 接線方式 | 4 φ / 4 φ X 2m | | | |
| Housing material 外殼材質 | Intensive ABS | | | |
| Operating temp/hum 工作環境 | -20°C ~ + 60°C ; 35% ~ 85 % RH | | | |
| Protection 保護等級 | IP-65 | | | |

AlltronicsPerú
AUTOMATIZACION INDUSTRIAL

Output Circuit & Connection Diagram



Dimension

